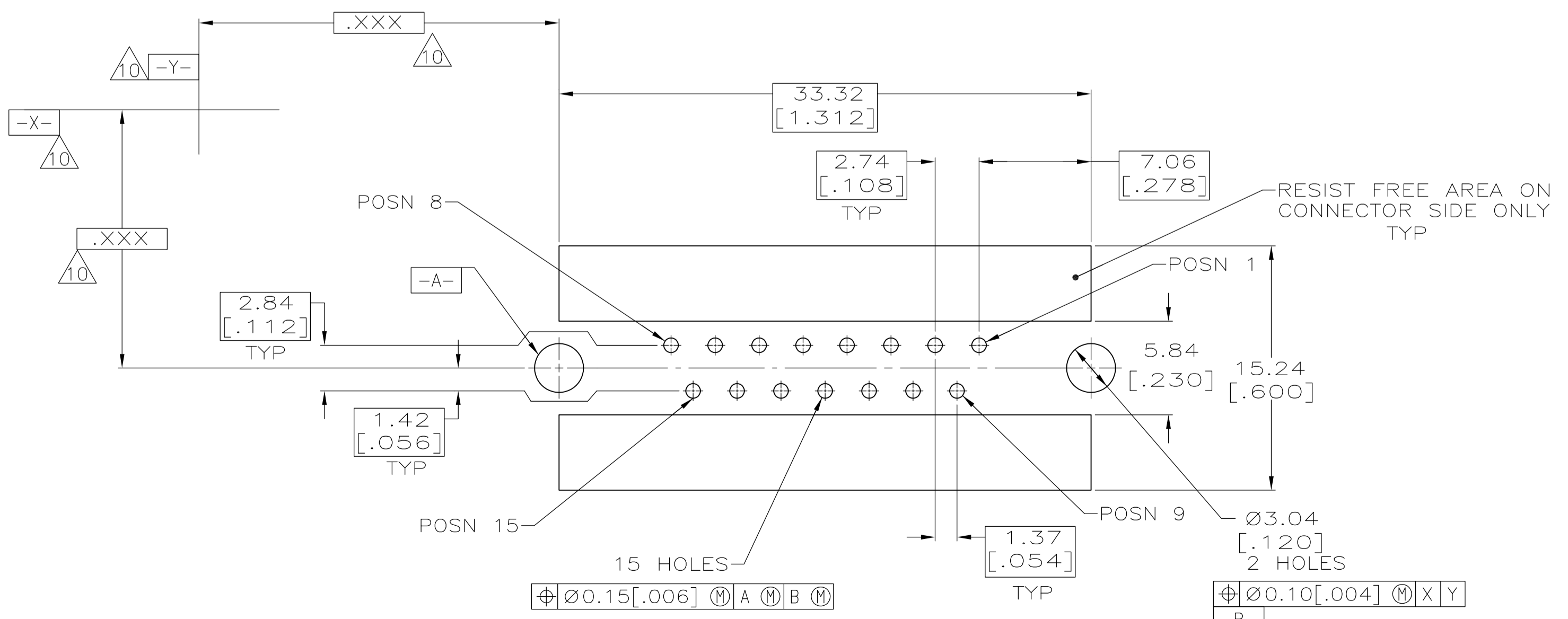
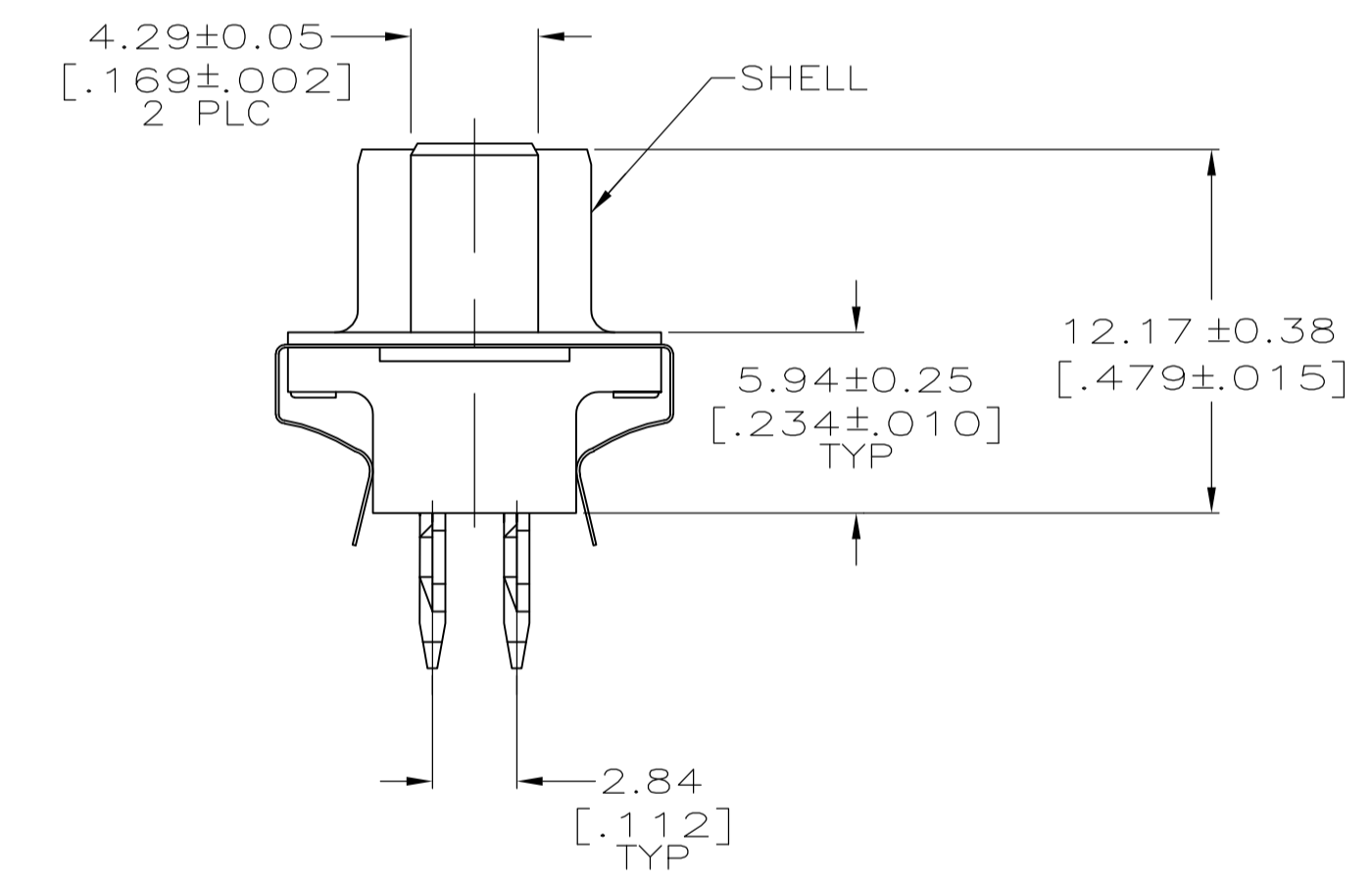
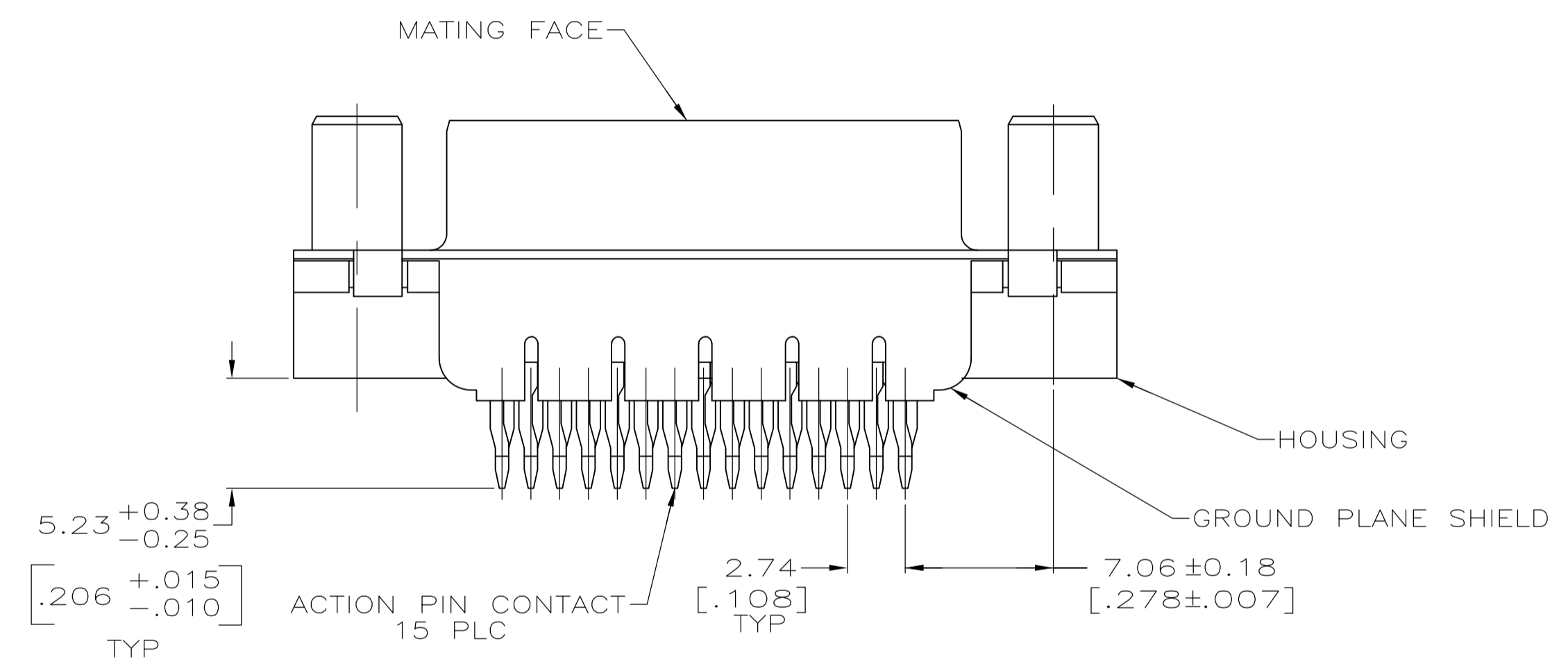


- 1 RECOMMENDATIONS FOR 2.36 [.093] MIN THICK PC BOARD:
 A. HOLE DIAMETER AFTER DRILLING = 1.15±0.03[.045±.001].
 B. HOLE DIAMETER AFTER TIN PLATING = 0.94[.037]-1.09[.043].
 C. HOLE DIAMETER AFTER REFLOW = 0.91[.036]-1.09[.043].
 D. PC BOARD PLATING TO BE 0.76µm [.000300] MIN TIN OVER 0.05±0.03[.002±.001] COPPER.
- 2 HOUSING:
 NYLON OR POLYESTER, UL 94V-0 RATED, BLACK.
- 3 CONTACTS: COPPER ALLOY.
- 4 SHELL: CARBON STEEL.
- 5 SCREWLOCKS: ZINC.
- 6 SHIELD: 1.27µm [.000050] MIN TIN OVER 0.13µm [.000005] MIN NICKEL STRIKE.
- 7 SHELL: 5.08µm [.000200] MIN TIN OVER 2.54µm [.000100] MIN COPPER.
- 8 CONTACTS:
 0.76 MICRO METERS [.000030] MINIMUM GOLD IN MATING AREA.
 2.54 MICRO METERS [.000100] MINIMUM TIN ON COMPLIANT PIN.
 ALL OVER 1.27 MICRO METERS [.000050] MINIMUM NICKEL.
 OR
 GOLD FLASH OVER PALLADIUM NICKEL.
 0.76 MICRO METERS [.000030] MINIMUM TOTAL IN MATING AREA.
 2.54 MICRO METERS [.000100] MINIMUM TIN ON COMPLIANT PIN.
 ALL OVER 1.27 MICRO METERS [.000050] MINIMUM NICKEL.
- 9 SHIELD: STAINLESS STEEL
- 10 DATUMS AND BASIC DIMENSIONS ESTABLISHED BY CUSTOMERS.
- 11 SCREWLOCKS: CLEAR CHROMATE



RECOMMENDED PC BOARD MOUNTING DIMENSIONS 1
 CONNECTOR SIDE OF BOARD

**COPYRIGHT 2005
 TYCO ELECTRONICS CORP
 ALL RIGHTS RESERVED**

THIS DRAWING IS A CONTROLLED DOCUMENT.		DIN A. FERNANDEZ-DUCKS 04-01-05	Tyco Electronics Corporation Harrisburg, PA 17105-3608	
DIMENSIONS: INCHES		CHK S. BOLASH 04-01-05	NAME M. WALMSLEY	
TOLERANCES UNLESS OTHERWISE SPECIFIED: 0 PLC ± - 1 PLC ± - 2 PLC ± 0.13 [.005] 3 PLC ± - 4 PLC ± - ANGLES ± -		PRODUCT SPEC 108-40014	RECEPTACLE ASSEMBLY, SIZE 2, 15 POSITION, ACTION PIN, FRONT METAL SHELL AMPLIMITE HD-20	
MATERIAL 2 3 4 5 9		APPLICATION SPEC 114-40026	SIZE A1	RESTRICTED TO
FINISH 6 7 8 11		WEIGHT -	CAGE CODE 00779	DRAWING NO 5748440
		CUSTOMER DRAWING		SCALE 4:1 SHEET 1 OF 1 REV B

5748440-2
 PART NO